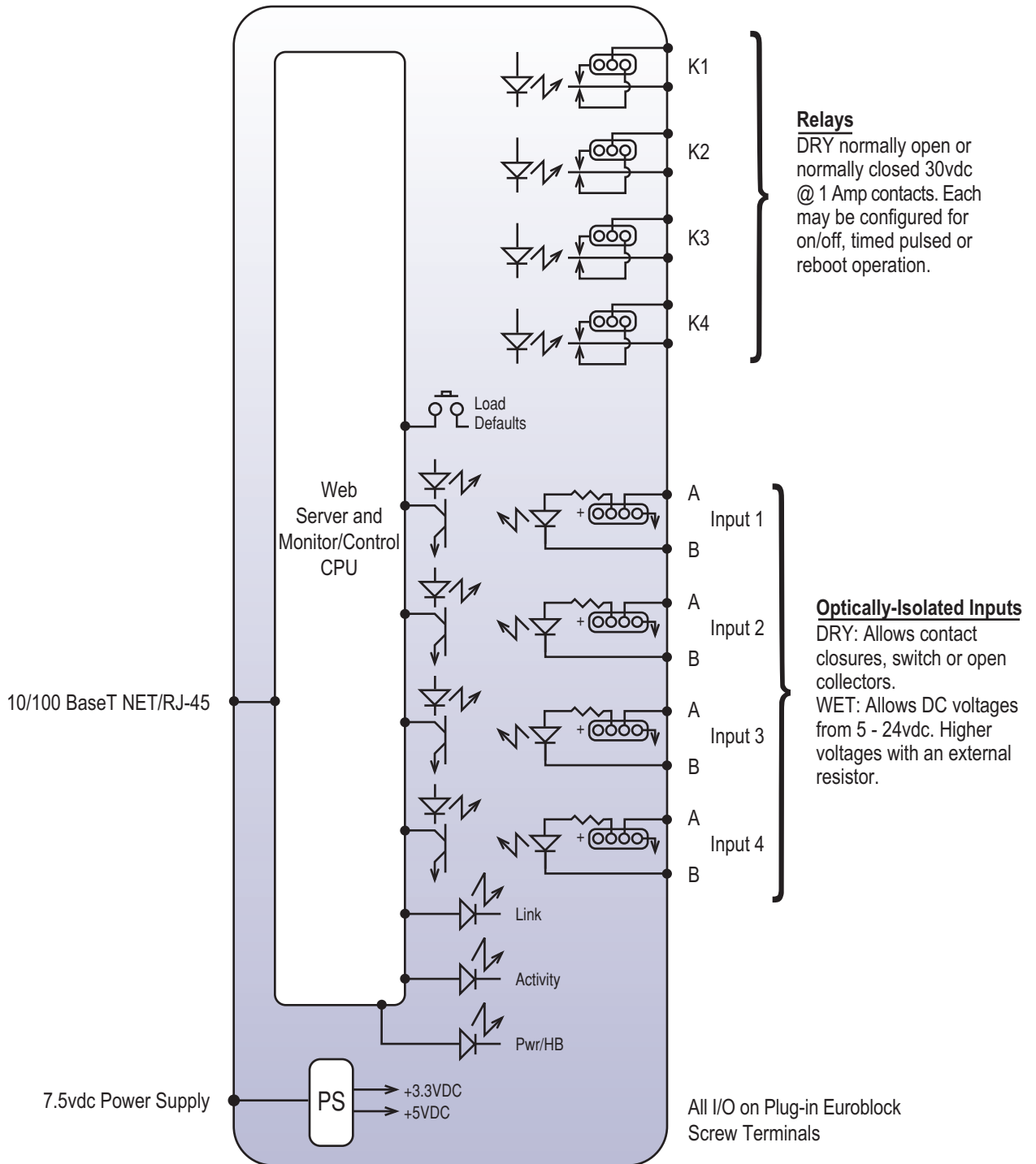


## Functional Diagram



NOTE: May be paired to form a "four-channel bi-directional relay extension cord"