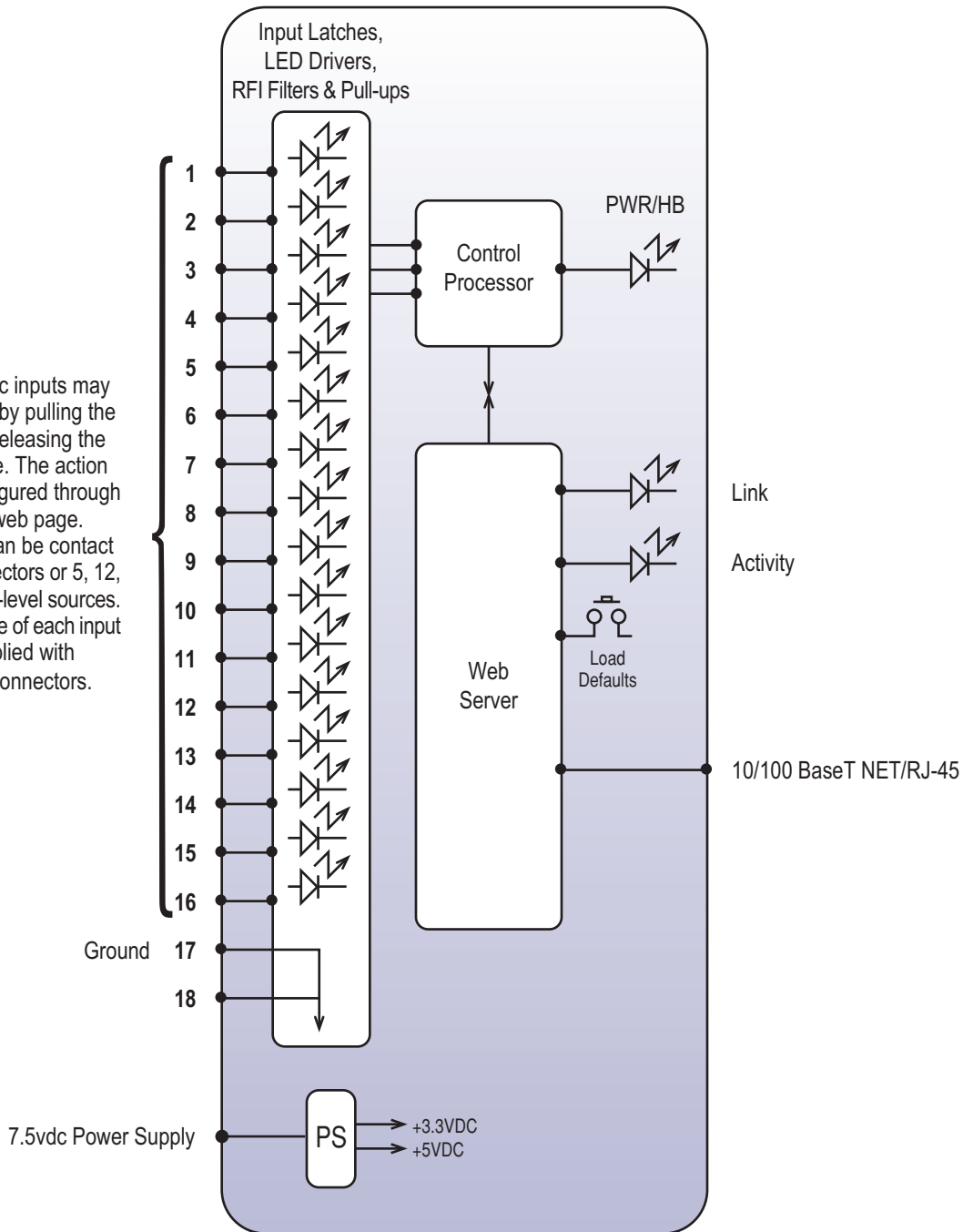


Functional Diagram

The 16 status / logic inputs may be activated either by pulling the input to ground or releasing the input to a high state. The action and display is configured through each inputs setup web page. External sources can be contact closures, open collectors or 5, 12, 15 and 24-volt logic-level sources. The input impedance of each input is 22 K ohms. Supplied with Plug-in euroblock connectors.



NOTE: May be paired with the **Relay Sentinel™ 16** to form a "16 channel relay extension cord"