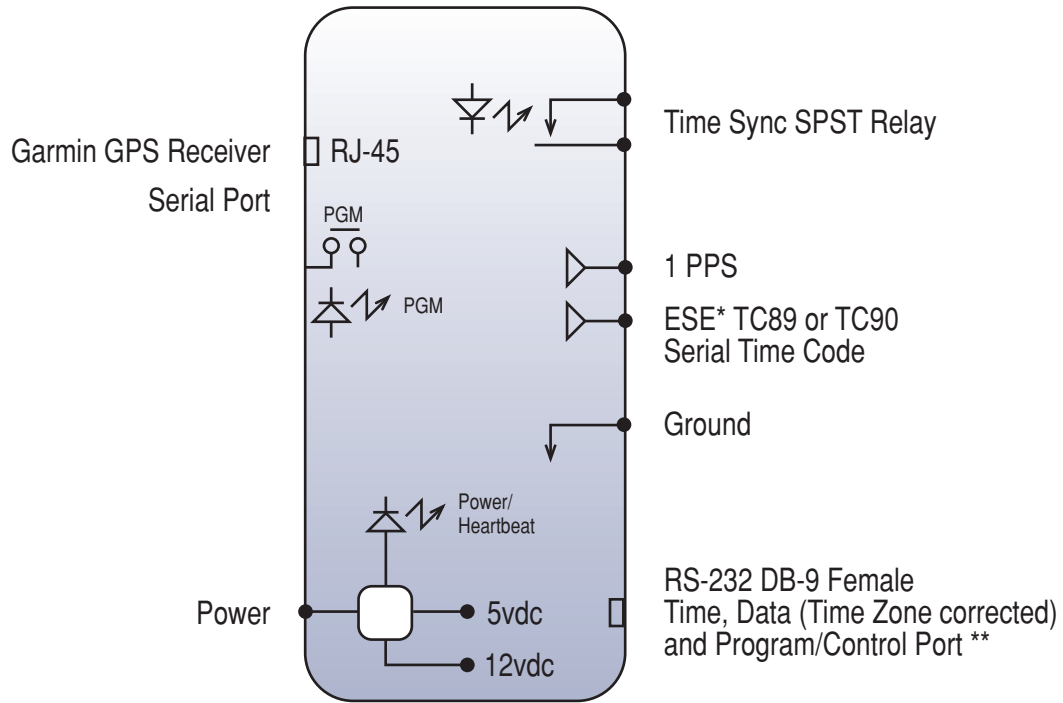


Functional Diagram



** Optional Broadcast Tools[®] USB-RS232 Smart Adapter Cable or ESS-1 Ethernet to Serial adapter.

* Products and Service names listed herein may be the trademarks of their respective companies.