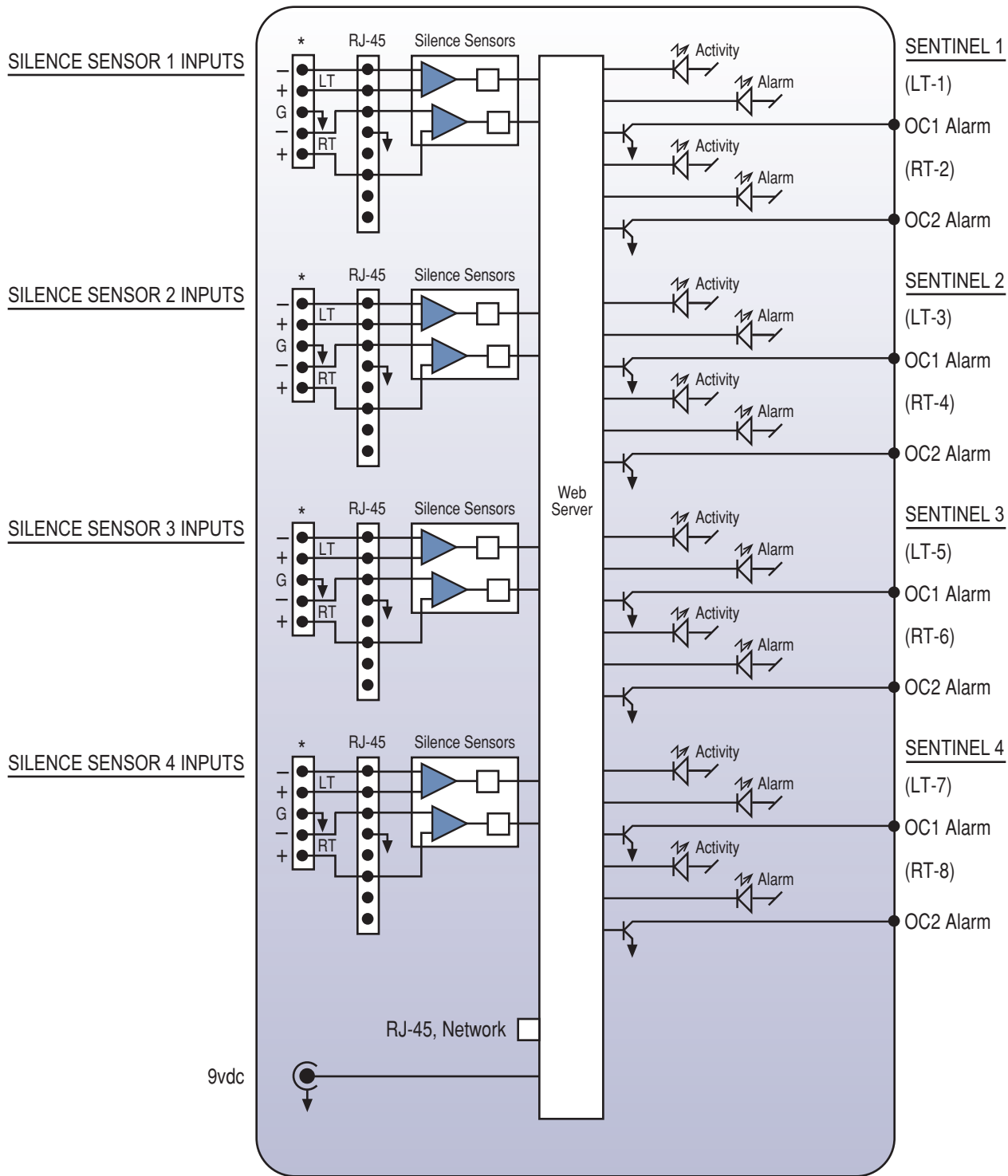


Functional Diagram



* - Removable Screw Terminals