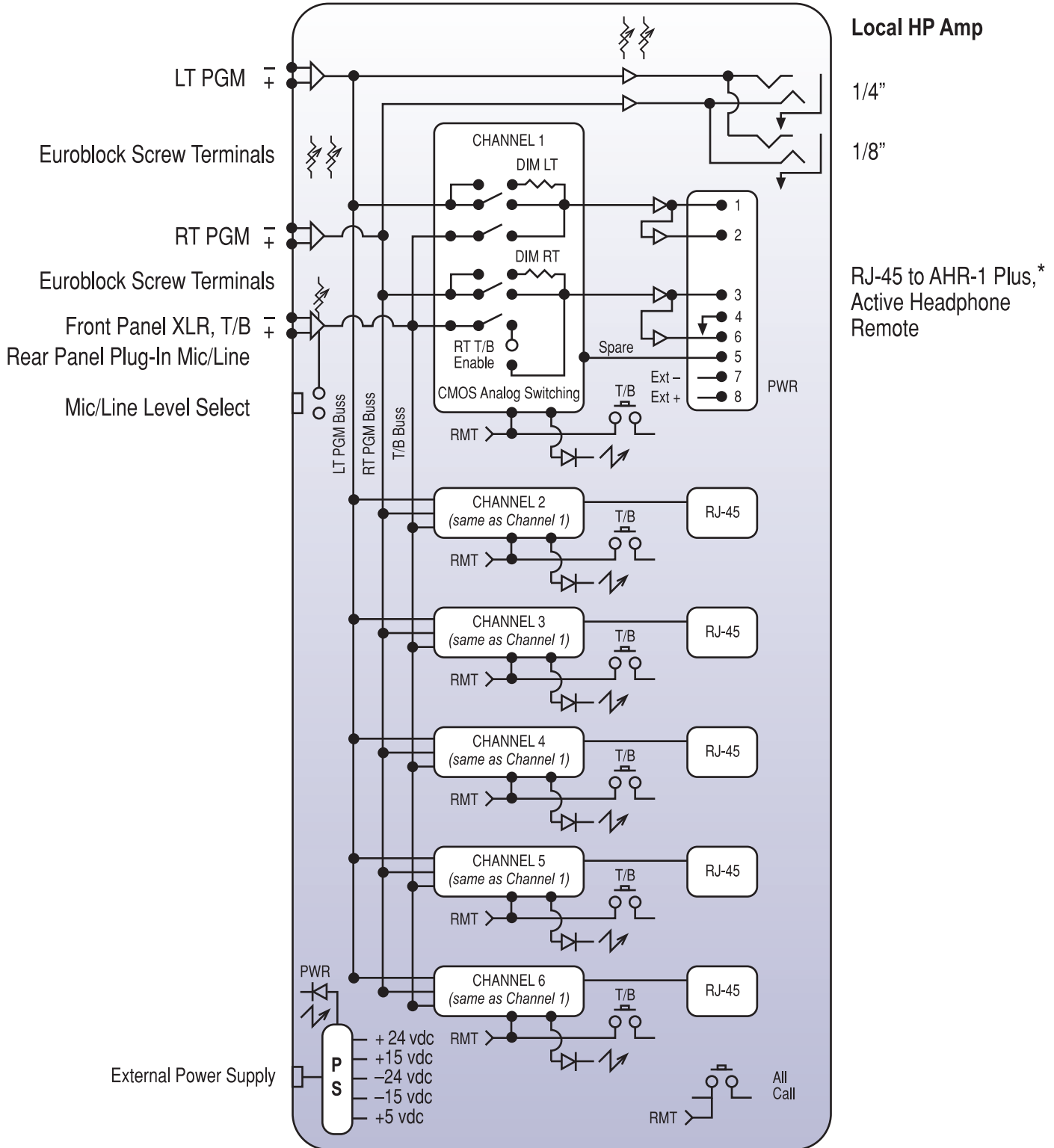


Functional Diagram



* Must be purchased separately.