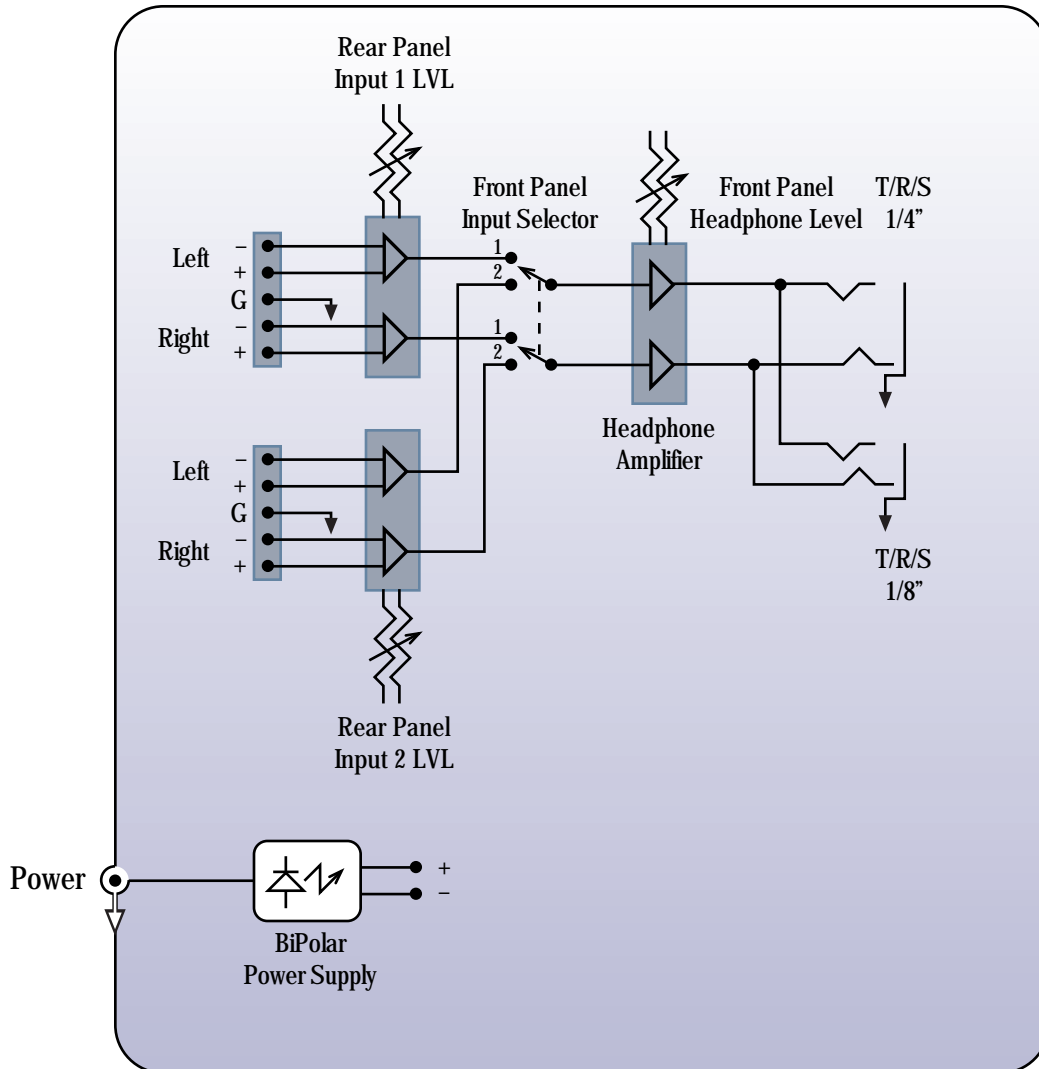


Functional Diagram



Available: April 2008