



# Installation and Operation Manual



## ROS-16 Utility Switch and LED panel

No part of this document may be reproduced or distributed without permission.

**NOTE: We recommend the use of Firefox or Safari for Windows as your browser.**

Manual update: 10/31/2011

If you need a firmware upgrade, contact Broadcast Tools®

**ALL SPECIFICATIONS AND FEATURES FOR THIS PRODUCT ARE SUBJECT TO CHANGE WITHOUT NOTICE**

Due to the dynamic nature of product design, the information contained in this document is subject to change without notice. Broadcast Tools, Inc., assumes no responsibility for errors and/or omissions contained in this document. Revisions of this information or new editions may be issued to incorporate such changes.

*Broadcast Tools® is a registered trademark of Broadcast Tools, Inc.  
tiny TOOLS™ is a trademark of Broadcast Tools, Inc.  
All Sentinel® labeled products are registered trademarks of Broadcast Tools, Inc.  
Copyright® 1989 - 2011 by Broadcast Tools, Inc. All rights reserved.  
No part of this document may be reproduced or distributed without permission.*

Visit [www.broadcasttools.com](http://www.broadcasttools.com) for important product update information.

## INTRODUCTION

Thank you for your purchase of a Broadcast Tools® Rack-O-Switches 16, utility switch and LED panel (referred to as the ROS-16 throughout this manual). We're confident that this product will give you many years of dependable service. This manual is intended to give you all the information needed to install and operate the Broadcast Tools® ROS-16.

## SAFETY INFORMATION

Only qualified technical personnel should install the ROS-16. Any attempt to install this device by a person who is not technically qualified could result in a hazardous condition to the installer or other personnel or damage to the ROS-16 or other equipment. Please ensure that proper safety precautions have been taken before installing this device. If you are unfamiliar with this type of equipment, please contact a properly qualified engineer to handle the installation and setup of the ROS-16.

Broadcast Tools, Inc., is unable to support NON-Broadcast Tools software, hardware or NON-Broadcast Tools computer/hardware/software problems. If you experience these problems, please research your hardware/software instruction manuals or contact the manufacturers technical support department.

## WHO TO CONTACT FOR HELP

If you have any questions regarding your product or you need assistance, please contact your distributor from whom you purchased this equipment. If you would like more information about Broadcast Tools® products, you may reach us at:

### Broadcast Tools, Inc.

131 State Street  
Sedro-Woolley, WA 98284-1540 USA  
Voice: 360.854.9559  
Fax: 866.783.1742  
Internet Home Page: [www.broadcasttools.com](http://www.broadcasttools.com)  
E-mail: [support@broadcasttools.com](mailto:support@broadcasttools.com)

**THANK YOU FOR CHOOSING  
BROADCAST TOOLS® BRAND PRODUCTS!**

Broadcast Tools is a Veteran Owned Business



Designed, Assembled and Supported in WA State, USA



## CAUTION!

**Broadcast Tools®** Products, as with any electronic device, can fail without warning. Do not use this product in applications where a life threatening condition could result due to failure.

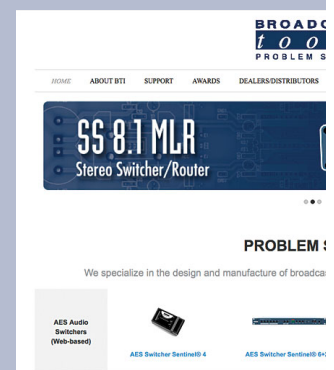


## NOTE:

This manual should be read thoroughly before installation and operation.

## WEBSITE:

Visit our web site for product updates and additional information.



## Product Overview

The ROS-16 provides sixteen independent utility paddle switches and dual LED's in a 1-RU package. Each switch may be configured for toggle or momentary operation. Each switch contact, LED anode and cathode is available on an independent terminal via removable euroblock screw terminals. The switch commons and LED anodes may be commoned and brought out to a separate removable euroblock screw terminal. Each SPDT paddle switch can handle up to 28 volt DC at 500ma, while each LED operates between 5 and 24 volts DC. Other voltages may be used with the appropriate current limiting resistor. Complete schematics and jumper layouts are included in the appendix of this manual.

## Inspection

Please examine your ROS-16 carefully for any damage that may have been sustained during shipping. If any damage is noted, please notify the shipper immediately and retain the packaging for inspection by the shipper. The package should contain the ROS-16, this manual and/or CD. Manuals may also be downloaded from our web site.

## Installation

The ROS-16 interfaces to external equipment through removable euroblock screw terminals.

The terminals accommodate wire sizes from 16 - 28 AWG solid or stranded wire. Before installing a wire, remove the euroblock screw terminal plug and turn each capture screw fully counterclockwise. Strip each conductor to a length of 0.25" and insert the conductor fully into the terminal. Turn the capture screw fully clockwise to secure the conductor. Follow the schematics and configuration jumper diagrams provided in the appendix of this manual. When connecting to each LED, proper voltage polarity should be followed.

## Operation

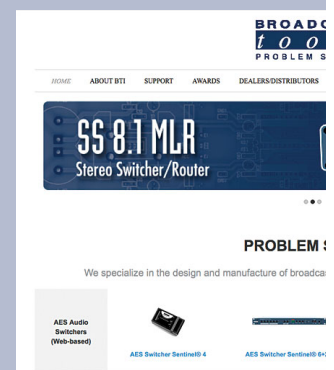
To operate the switch in toggle mode, set the switch to the center (OFF) position and move the switch UP for ON. To operate in momentary mode, press the switch down for the desired duration, then release. The switch will return to the center (OFF) position.

## Labeling switches

To add labels to the ROS-16, produce each label and cut to a size adequate to attach to the area below each switch/LED section.

## WEBSITE:

*Visit our web site for product updates and additional information.*

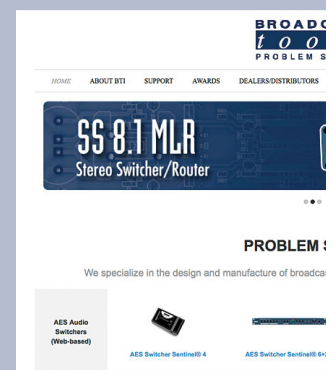


## Specifications

Switches:	16 - SPDT toggle or momentary. Maximum of 28 volt DC at 500ma.
LED's:	16 - Green T1 LED's and 16 - Red T1 LED's. 1.5 K ohm current limiting resistors are installed for voltage ranging from 5 to 24 volts DC. Other appropriate values may be used for other voltages.
Connectors:	Removable euroblock screw terminals. Plugs are supplied
Dimensions:	19.00"W x 1.50"D x 1.75"H.
Weight:	2.0 lb.

## WEBSITE:

*Visit our web site for product updates and additional information.*



## LIMITED WARRANTY

The term "Buyer" as used in this document refers to and includes both (but only) (a) any person or entity who acquires such an item for the purpose of resale to others (i.e., a dealer or distributor of an item), and (b) the first person or entity who acquires such an item for such person's or entity's own use.

Broadcast Tools warrants to each Buyer of any item manufactured by Broadcast Tools that the item will be free from defects in materials and workmanship at the time it is shipped by Broadcast Tools if the item is properly installed, used and maintained.

## EXCLUSIVE REMEDIES

If Broadcast Tools is notified, in writing, of a failure of any item manufactured by Broadcast Tools to conform to the foregoing Limited Warranty within one (1) year following the date of the Buyer's acquisition of the item, and if the item is returned to Broadcast Tools in accordance with Broadcast Tools' instructions for confirmation by inspection of the defect (which at Broadcast Tools' election may include, without limitation, a requirement that the Buyer first obtain a Return Authorization number from Broadcast Tools, that the Buyer furnish proof of purchase in the form of an invoice and/or receipt, and that the Buyer prepay all freight charges associated with any return of the item to Broadcast Tools using such freight service as Broadcast Tools reasonably may specify), Broadcast Tools will repair or replace the defective item, or will refund the purchase price paid by the Buyer for the item. Broadcast Tools shall have the exclusive right to choose between these alternative remedies.

## NO OTHER WARRANTIES OR REMEDIES

TO THE MAXIMUM EXTENT PERMITTED BY APPLICABLE LAW, BROADCAST TOOLS AND ITS SUPPLIERS DISCLAIM ALL OTHER WARRANTIES, EITHER EXPRESS OR IMPLIED, INCLUDING BUT NOT LIMITED TO IMPLIED WARRANTIES OF MERCHANTABILITY OR FITNESS FOR A PARTICULAR PURPOSE; AND THE FOREGOING ALTERNATIVE REMEDIES SHALL BE EXCLUSIVE OF ALL OTHER REMEDIES. THIS LIMITED WARRANTY GIVES YOU SPECIFIC LEGAL RIGHTS. YOU MAY HAVE OTHER RIGHTS, WHICH VARY FROM STATE/JURISDICTION TO STATE/JURISDICTION.

## NO LIABILITY FOR CONSEQUENTIAL DAMAGES

TO THE MAXIMUM EXTENT PERMITTED BY APPLICABLE LAW, NEITHER BROADCAST TOOLS NOR ANY OF ITS SUPPLIERS SHALL HAVE ANY LIABILITY FOR ANY SPECIAL, INCIDENTAL, INDIRECT, CONSEQUENTIAL OR PUNITIVE DAMAGES WHATSOEVER (INCLUDING, WITHOUT LIMITATION, ANY DAMAGES FOR LOST PROFITS, BUSINESS INTERRUPTION, LOSS OF DATA OR INFORMATION, COST OF CAPITAL, CLAIMS OF CUSTOMERS, OR ANY OTHER PECUNIARY LOSS) ARISING OUT OF THE USE OF OR THE INABILITY TO USE ANY ITEM SUPPLIED BY BROADCAST TOOLS, EVEN IF BROADCAST TOOLS HAS BEEN ADVISED OF THE POSSIBILITY OF SUCH DAMAGES HAVE ANY LIABILITY FOR ANY SPECIAL, INCIDENTAL, CONSEQUENTIAL, EXEMPLARY OR PUNITIVE DAMAGES. THIS LIMITATION OF LIABILITY APPLIES WHETHER A CLAIM IS ONE ALLEGING BREACH OF A CONTRACT OR WARRANTY, NEGLIGENCE OR OTHER TORT, FOR THE VIOLATION OF ANY STATUTORY DUTY, THE FAILURE OF ANY LIMITED OR EXCLUSIVE REMEDY TO ACHIEVE ITS ESSENTIAL PURPOSE, OR ANY OTHER CLAIM OF ANY NATURE. BECAUSE SOME STATES AND JURISDICTIONS DO NOT ALLOW THE EXCLUSION OR LIMITATION OF LIABILITY FOR INCIDENTAL OR CONSEQUENTIAL DAMAGES, THIS LIMITATION MAY NOT APPLY TO YOU.

### **Broadcast Tools, Inc.**

131 State Street

Sedro-Woolley, WA 98284 • USA

360.854.9559 **voice** • 866.783.1742 **fax**

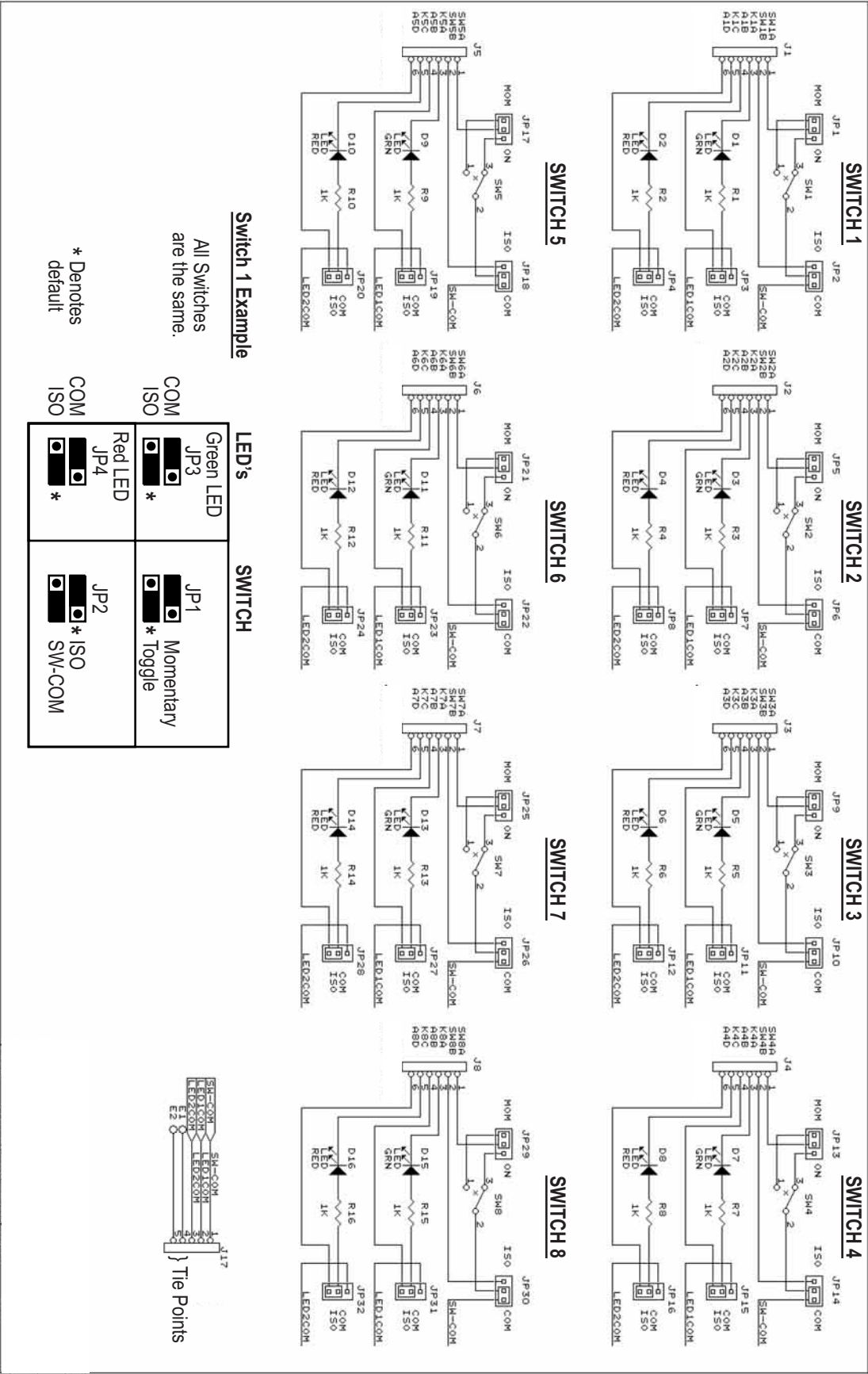
support@broadcasttools.com **e-mail**

www.broadcasttools.com **website**

# ROS-16 SCHEMATIC & JUMPER LAYOUT

Rack-O-Switches 16

APPENDIX

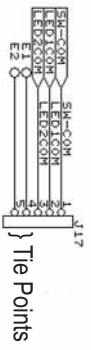


Switch 1 Example

All Switches are the same.

\* Denotes default

LED'S		SWITCH	
Green LED JP3	COM	JP1	Momentary
Red LED JP4	ISO *	JP2	* Toggle
	COM	JP1	* ISO
	ISO	JP2	SW-COM



131 State Street, Sedro-Woolley, WA 98284 • 360.854.9559 • Fax 866.783.1742

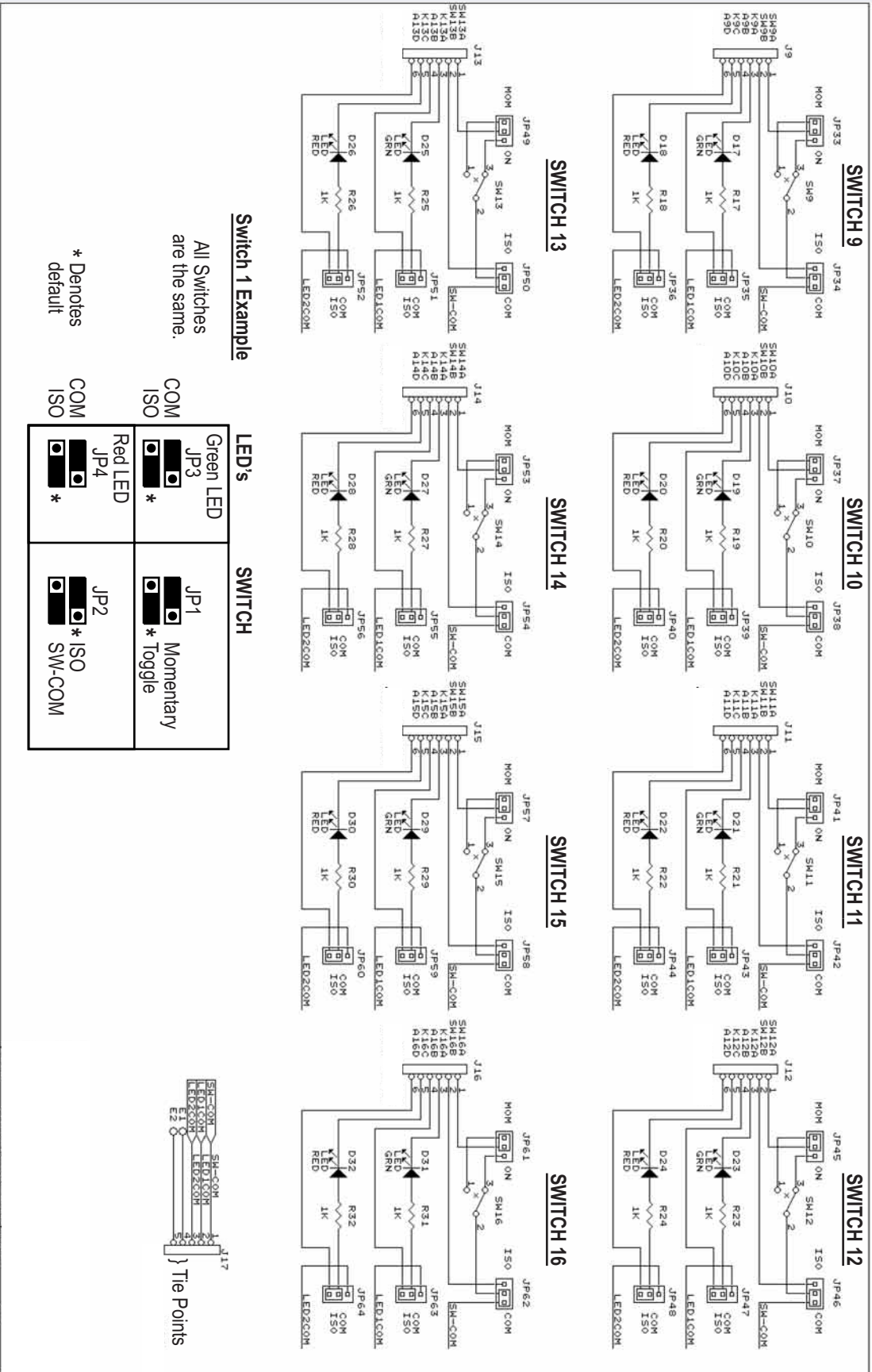
Modification Date: 07/19/10

Visit us online at [www.broadcasttools.com](http://www.broadcasttools.com)  
Copyright © 1989-2010 by Broadcast Tools, Inc. All Rights Reserved.

# ROS-16 SCHEMATIC & JUMPER LAYOUT

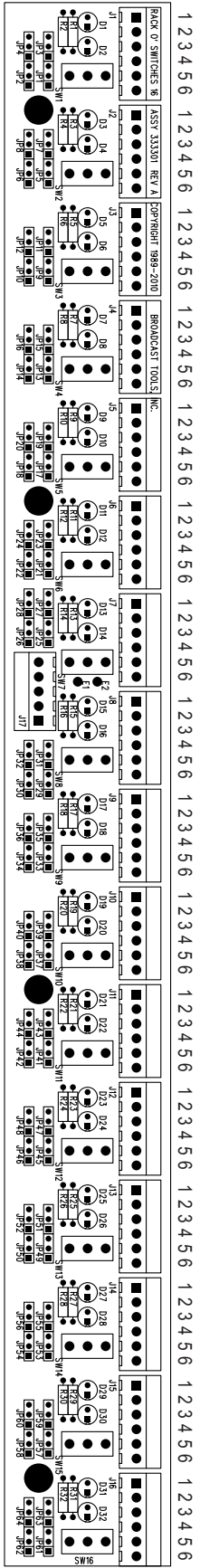
Rack-O-Switches 16

APPENDIX



# ROS-16 JUMPER LAYOUT

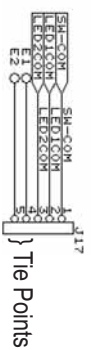
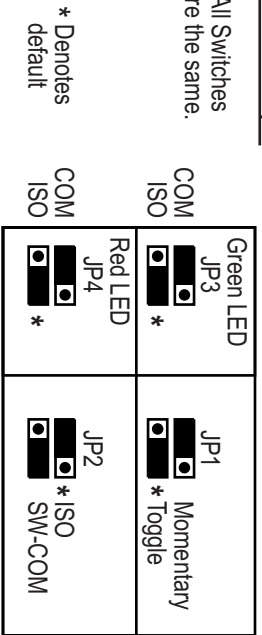
Rack-O-Switches 16



SW1 SW2 SW3 SW4 SW5 SW6 SW7 SW8 SW9 SW10 SW11 SW12 SW13 SW14 SW15 SW16

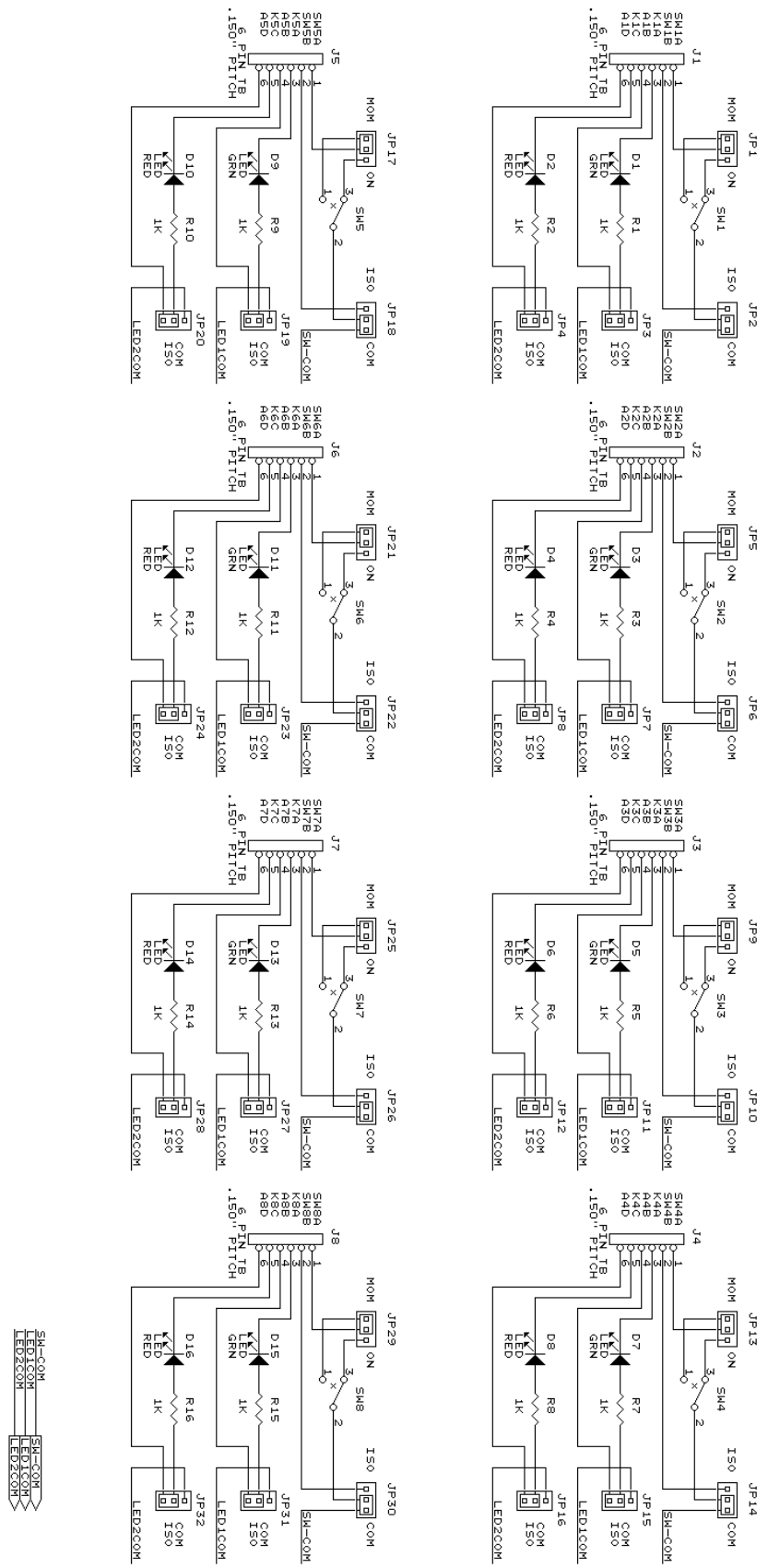
**Switch 1 Example**

All Switches are the same.





# ROS-16 Installation and Operation Manual



# ROS-16 Installation and Operation Manual

