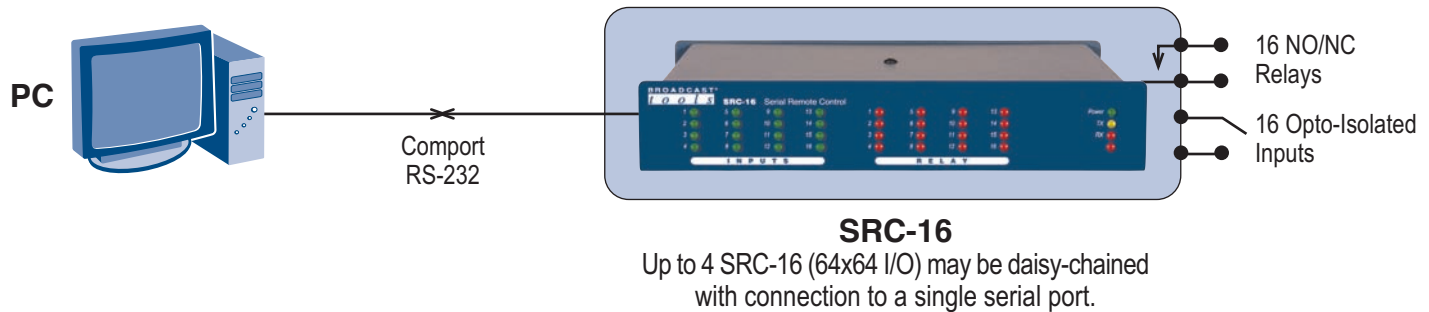


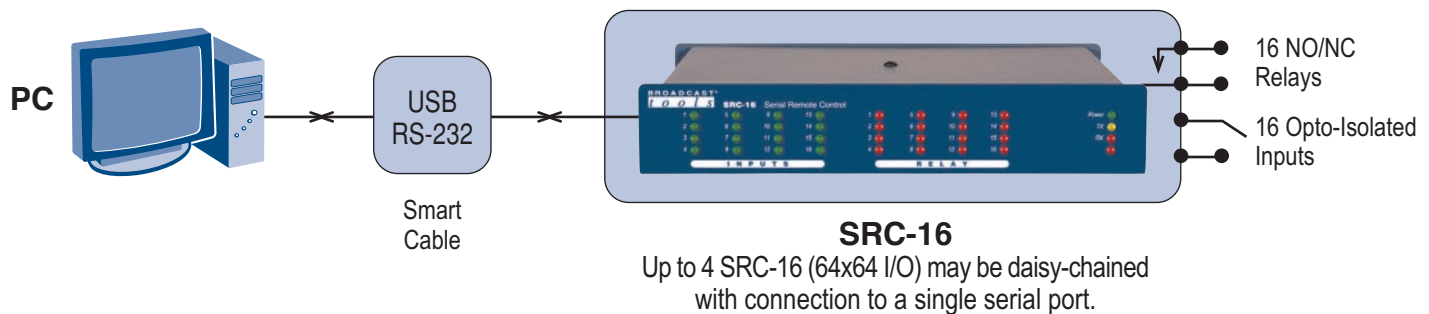
Broadcast Tools SRC-16

Sample Configurations

“Computer Mode” RS-232 or RS-422 Configuration



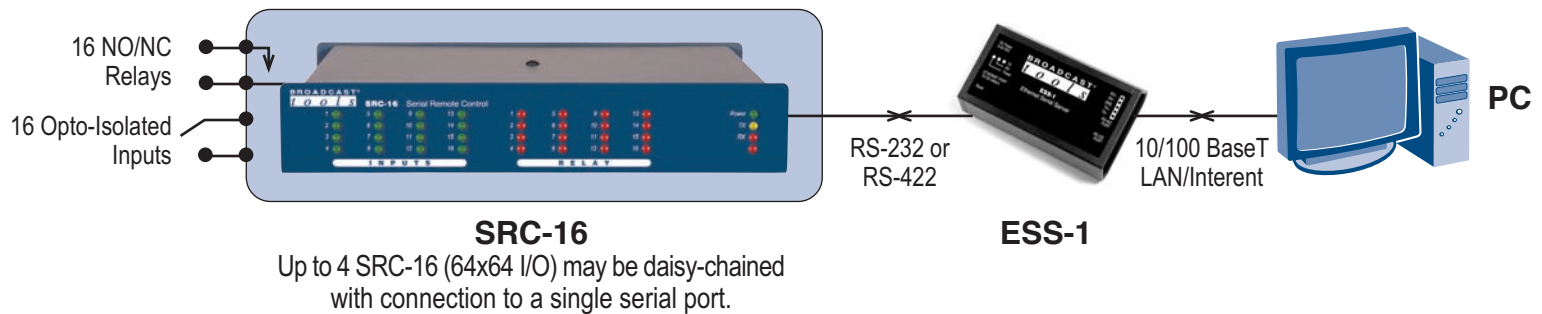
“Computer Mode” USB Configuration



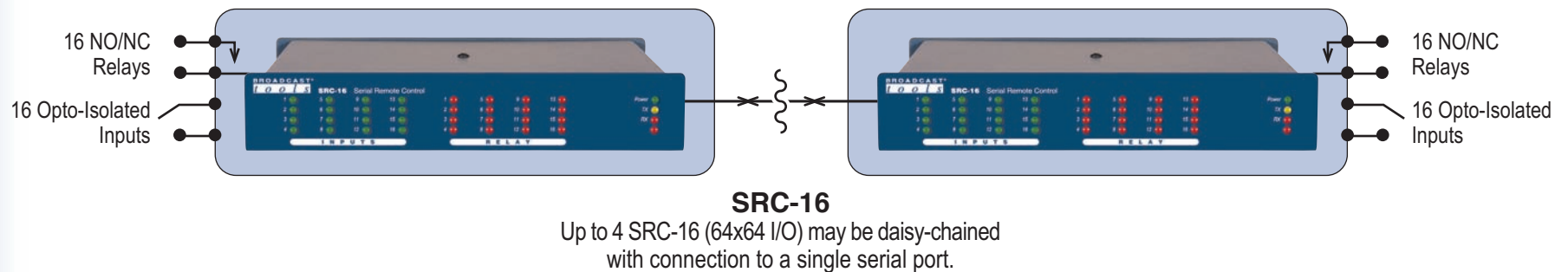
Broadcast Tools SRC-16

Sample Configurations

“Computer Mode” LAN/Internet



“Pair Mode” RS-232 or RS-422 Configuration

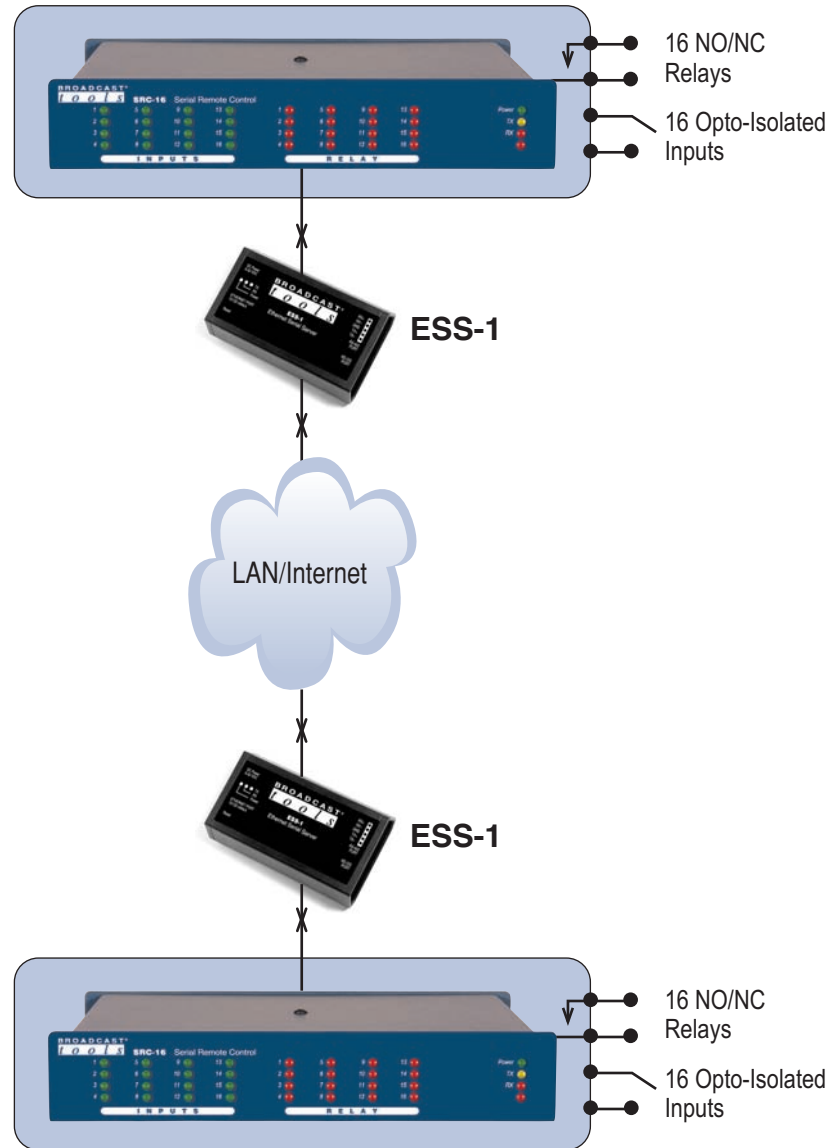


Broadcast Tools SRC-16

Sample Configurations

“Pair Mode” LAN/Internet

SRC-16
Up to 4 SRC-16 (64x64 I/O) may be daisy-chained with connection to a single serial port.



SRC-16
Up to 4 SRC-16 (64x64 I/O) may be daisy-chained with connection to a single serial port.

Broadcast Tools SRC-16

Sample Configurations

Multiple SRC-16's (All Modes)

