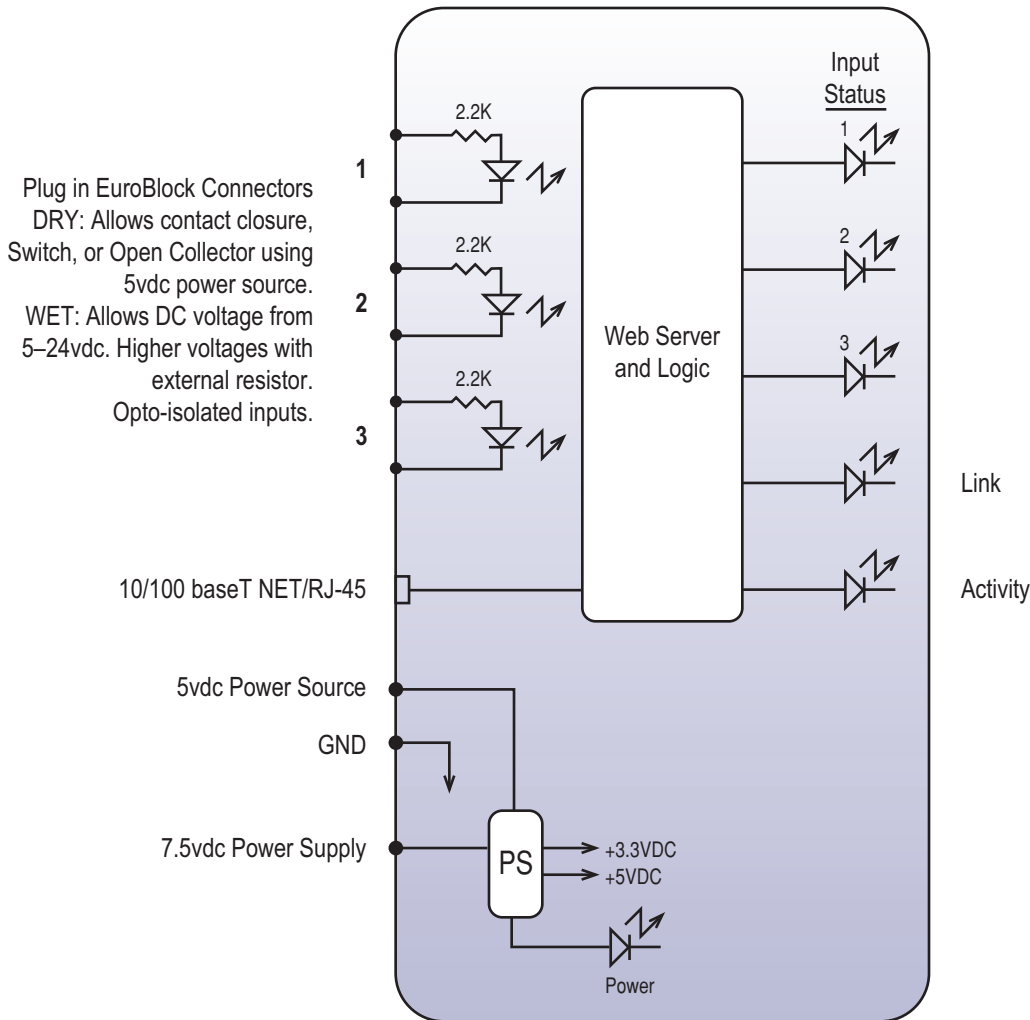


## Functional Diagram



NOTE: May be paired with the **Relay Sentinel** to for a "Relay Extension Cord"