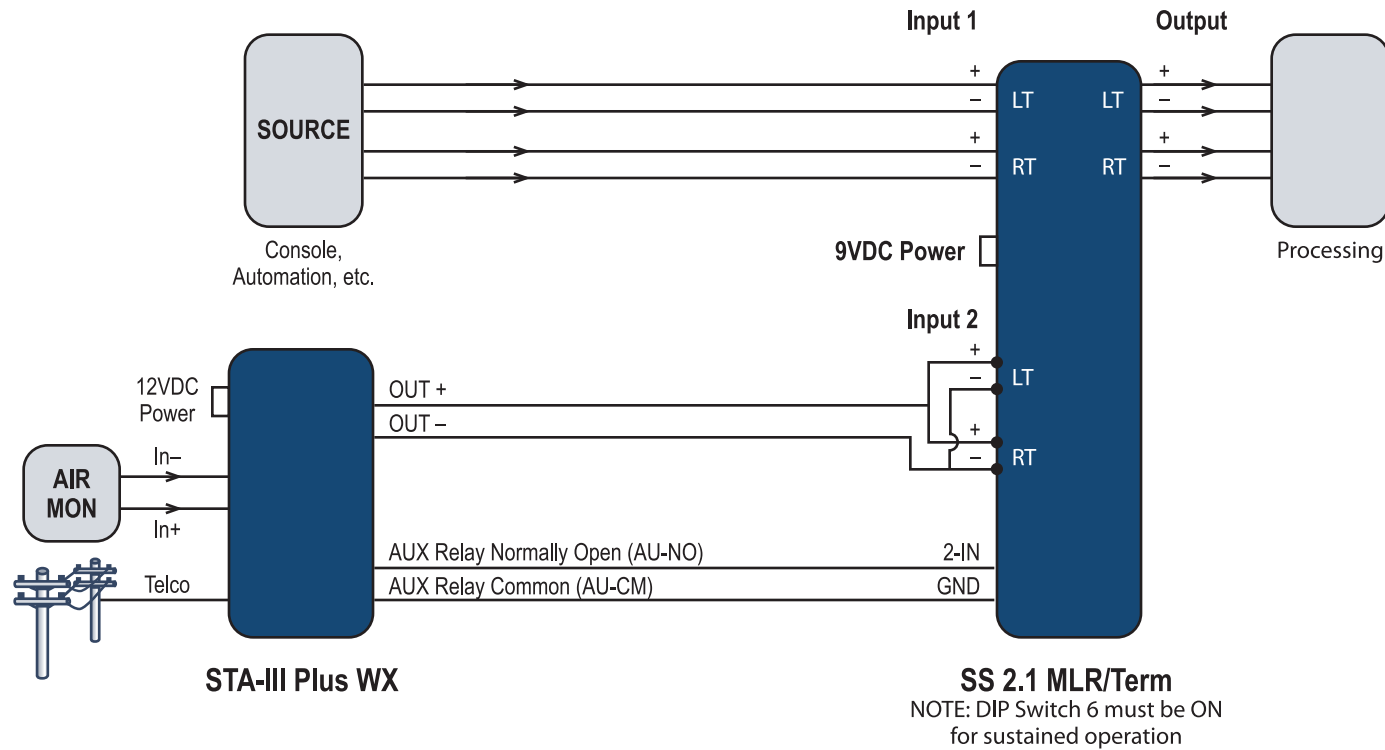


Broadcast Tools® STA-III Plus WX & SS2.1 MLR/Term

Installation Application for Weather Eye Radio Network



131 State Street, Sedro-Woolley, WA 98284 • 360.854.9559 • Fax 360.854.9479

Visit us online at www.broadcasttools.com

Copyright © 1989-2016 by Broadcast Tools, Inc. All Rights Reserved.