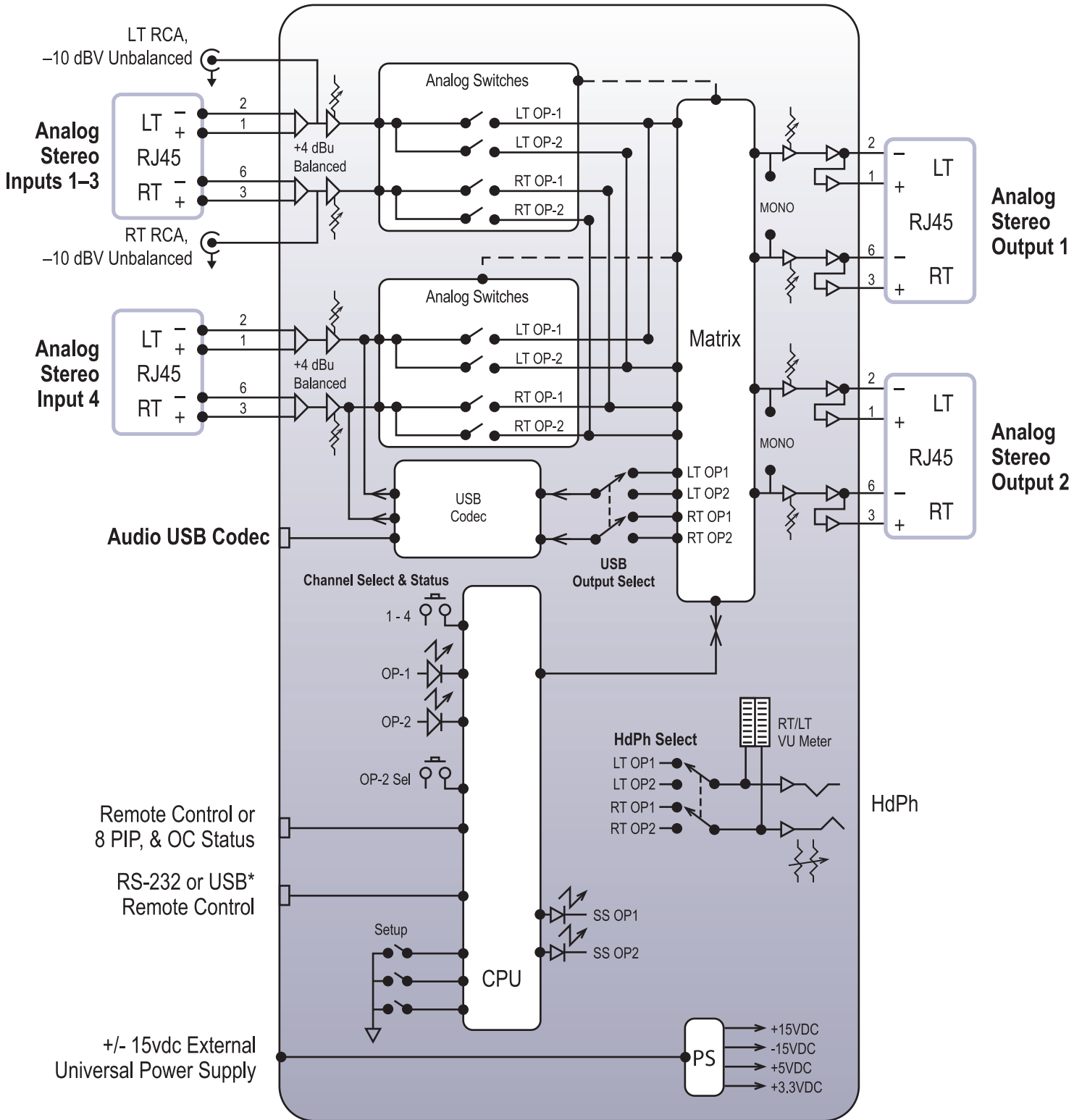


### Functional Diagram



\* Optional USB-RS232 Smart Adapter Cable or 3rd party Ethernet adapter.