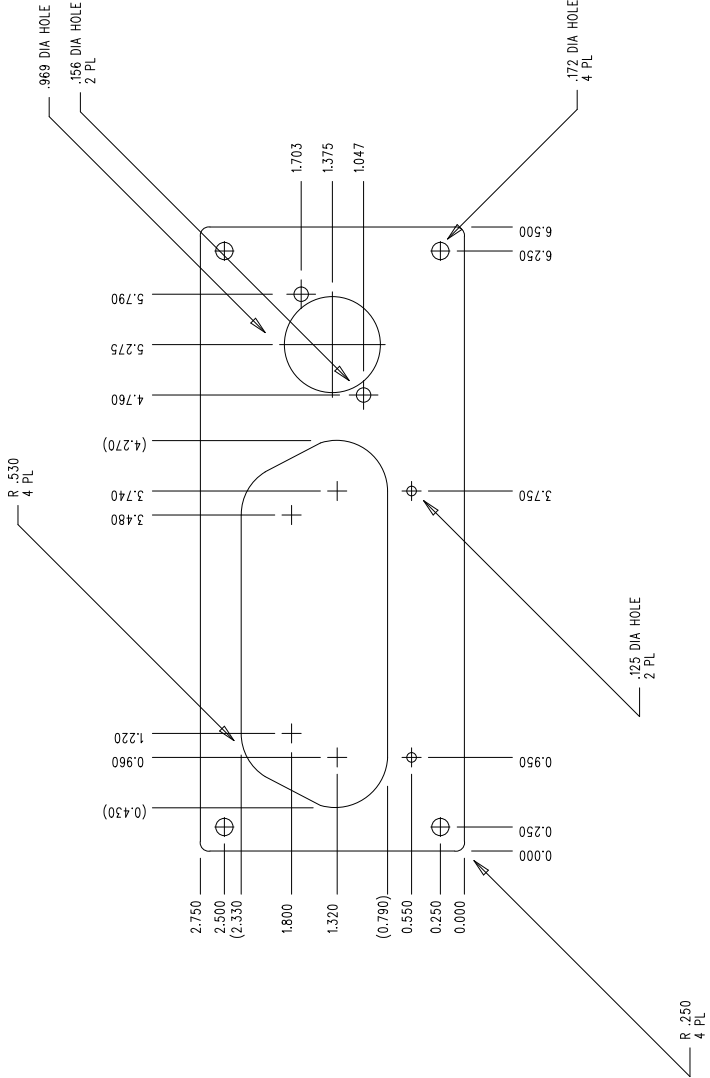


- NOTES:
1. MATL: 16 GA AL (.063 THK).
 2. DEBURR AND BREAK ALL SHARP EDGES.
 3. FINISH: TBD.
 4. INSPECT PER CLASS A. SCRATCH FREE.
 5. PACK 1 EACH PER 2 MIL POLY BAG.



THIS DRAWING IS THE PROPERTY OF BROADCAST TOOLS, INC. AND SHALL NOT BE USED EXCEPT WITH THE WRITTEN PERMISSION OF BROADCAST TOOLS, INC. ALL RIGHTS RESERVED. NO PARTS OR MATERIALS IN THIS DRAWING ARE THE PROPERTY OF BROADCAST TOOLS, INC. COPYRIGHT BROADCAST TOOLS, INC. 1989-2015

BROADCAST TOOLS, INC.	
TOLERANCE	TRT - .01"
FILE NAME	MP-2C-JOB
DATE	06/08/15
DRWING NUMBER	395001
REV	C
SIZE	MP-2
REV	C